

Model: TTS200 series

Tripod Turnstile

STAINLESS STEEL TRIPOD TURNSTILE

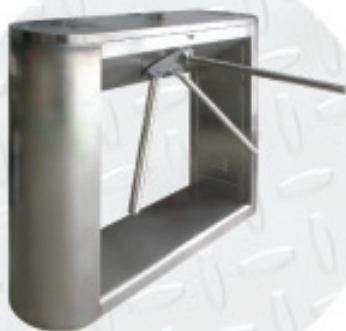
Effective pedestrian access control for residential, industrial and commercial applications

MAG TTS200 is a series of electro mechanical turnstiles. Its unique mechanical drive design allow the arm to be pushed effortlessly and auto-rotate back without any expensive electric motor.

MAG TTS200 series can effectively control high volume human traffic (up to 30 person per minutes) while still maintaining a welcoming atmoshere. They can easily be intergrated with any electronic system for ticketing, access control or time attendance.

MAG TTS200 series is suitable for indoor or shaded outdoor. They are optimized economical solution for railway, bus station, factory, colleges, commercial building, stadium, game park, bank and etc.

**Reliable
Functional
Economical**



TTS260



TTS210

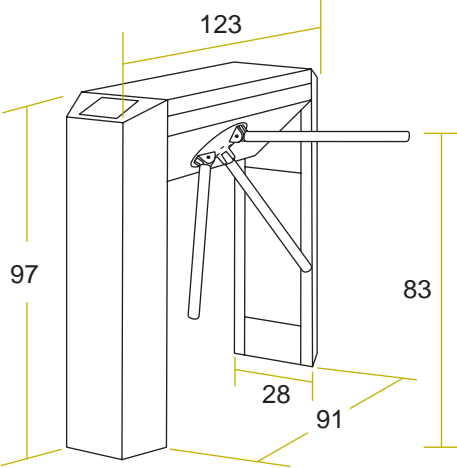


TTS230

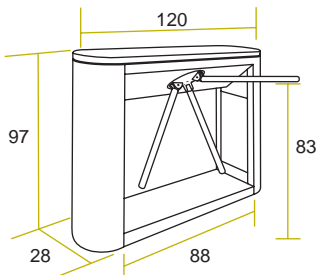


Stainless steel pedestrian tripod turnstile

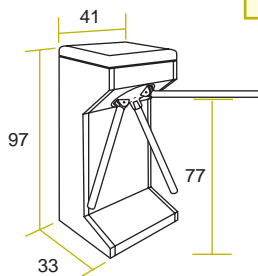
TTS230



* All measurement are in cm.



TTS260



TTS210

Mechanical drive unit eliminate the use of expensive electric motor and reduce maintenance cost.

Turnstile can be configured to be bi-directional or uni-directional. Built in acrylic plate for easy integration with other devices.

If arm rotated more than half, it will auto-rotate to the next idle position. If arm rotated less than half, it will auto-rotate back to the current idle position.

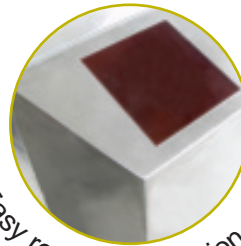
Anti-tailgating. Smart lock mechanism effectively allow only one person to pass through at a time.

During power failure, arm will drop automatically allowing free pass through. Internal parts inside housing is key locked to avoid tampering.

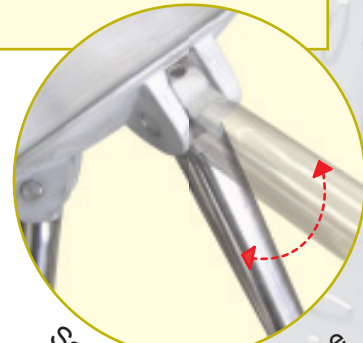
Built in LED to indicate direction. Once unlock, arm just need to be pushed lightly to rotate therefore even elderly or children are able to use the turnstile.



Secure



Easy reader intergration



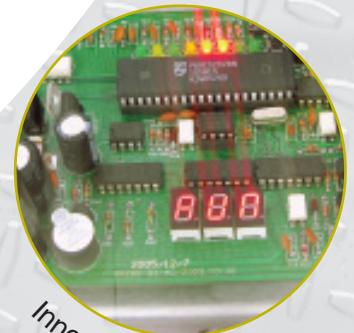
Safe, emergency escape



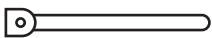
Versatile



User friendly



Innovative design



All tripod length are 52cm

Technical specification:

Description	Specification
Power supply	AC220V \pm 10V
Power consumption	25 Watt
Passage width	60 cm
Response time	0.2 sec
Pass speed	30 person per min

Authorized dealer